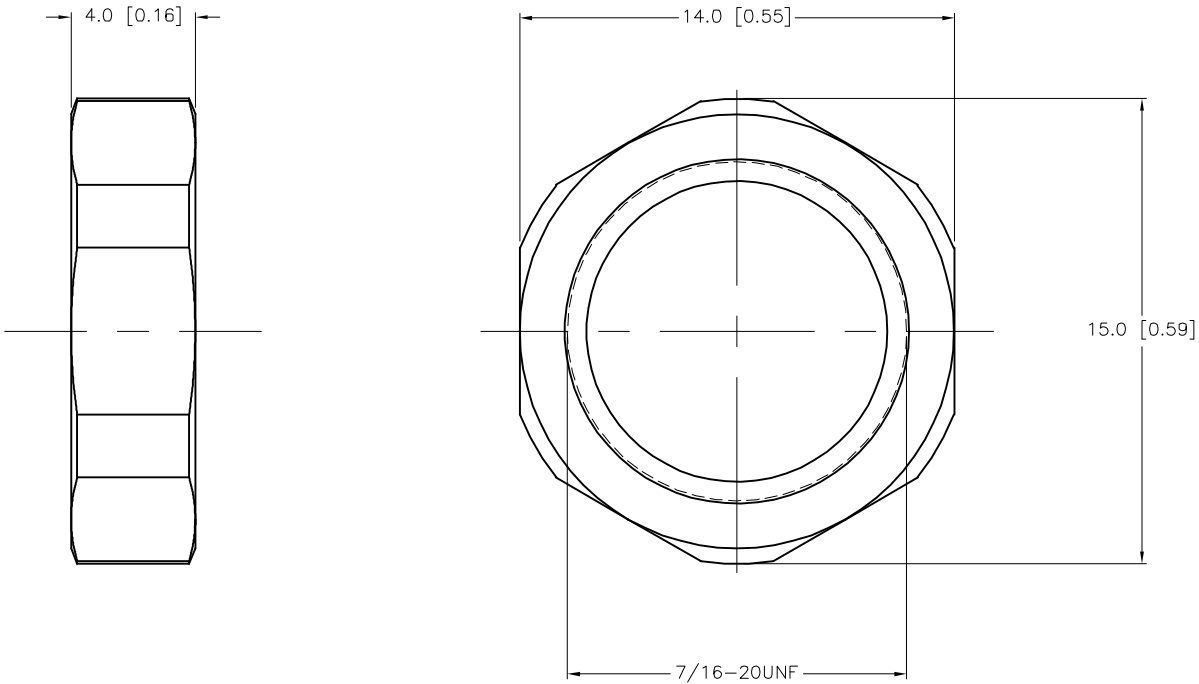


SPECIFICATIONS	
MATERIAL/PLATING	BRASS/NICKEL
-	-



SOURCE DRAWING - FOR REFERENCE ONLY

RELATED DOCUMENTS 1. 2. 3. 4.	3RD ANGLE PROJECTION 	THIS DRAWING IS CONFIDENTIAL AND THE PROPERTY OF TURCK INC. USE OF THIS DOCUMENT WITHOUT WRITTEN PERMISSION IS PROHIBITED.		TURCK 3000 CAMPUS DRIVE MINNEAPOLIS, MN 55441 1-800-544-7769 (763) 553-7300 (763) 553-0708 fax www.turck.us	
	MATERIAL SEE SPECIFICATIONS	DRFT RDS APVD -	DATE 11/05/10 SCALE 1=3	DESCRIPTION LOCKNUT 7/16-20 (10/BAG)	
FINISH SEE SPECIFICATIONS	ALL DIMENSIONS DISPLAYED ON THIS DRAWING ARE FOR REFERENCE ONLY CONTACT TURCK FOR MORE INFORMATION	UNIT OF MEASUREMENT MILLIMETER [INCH]		IDENTIFICATION NO. A9656	REV A
A DRAWING RELEASE	RDS 11/05/10	DO NOT SCALE THIS DRAWING		FILE: A9656	SHEET 1 OF 1
REV DESCRIPTION	BY DATE ECO NO.				

A	DRAWING RELEASE	RDS	11/05/10	
REV	DESCRIPTION	BY	DATE	ECO NO.